

Article number 4610103
Article designation Edge protector

This edge protector is made of PVC and has a steel insert. Because of the high bending radius of this finishing profile, it is easy to bend around corners. The profile is easy to fasten and protects from sharp edges. It is temperature resistant from -40°C up to +90°C.

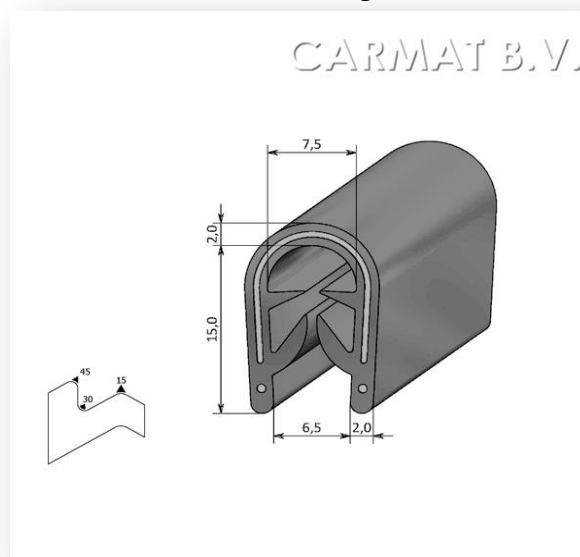
General information

Assembly profile PVC quality 911V5 ALD
Assembly insert Steel 1.0347
Clamping range 4-6 mm
Colour grey

Directives

Reach Compliant
RoHS - RL 2002/95/EG (EC) Compliant
Altauto - RL 2000/53/EG (EC) Compliant

Product image



CARMAT B.V.
Campagneweg 15
4761 RM Zevenbergen
+31-168331100