

Article number 4610092
Article designation Sealing section

This sealing section is completely made of EPDM and has a steel insert. Because of the high bending radius of this sealing profile, it is easy to bend around corners. The rubber profile is easy to fasten and has two functions: protecting from sharp edges and sealing. It is temperature resistant from -40°C up to +100°C.

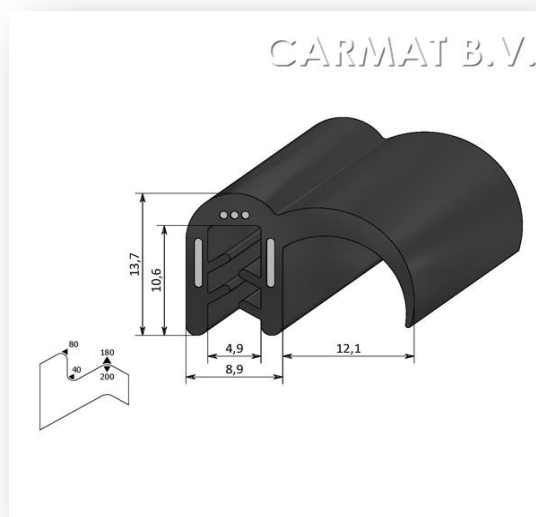
General information

Assembly profile	EPDM quality ES 60
Assembly sealing lip	EPDM quality ES 06
Assembly insert	Steel 1.0347
Clamping range	1-3 mm
Colour	Black

Directives

Reach	Compliant
RoHS - RL 2002/95/EG (EC)	Compliant
Altauto - RL 2000/53/EG (EC)	Compliant

Product image



CARMAT B.V.
Campagneweg 15
4761 RM Zevenbergen
+31-168331100