

Article number 4610077
Article designation Sealing section

This sealing section is made of PVC with a rubber gasket and has a steel insert. Because of the high bending radius of this sealing profile, it is easy to bend around corners. The profile is easy to fasten and has two functions: protecting from sharp edges and sealing. It is temperature resistant from -30°C up to +70°C.

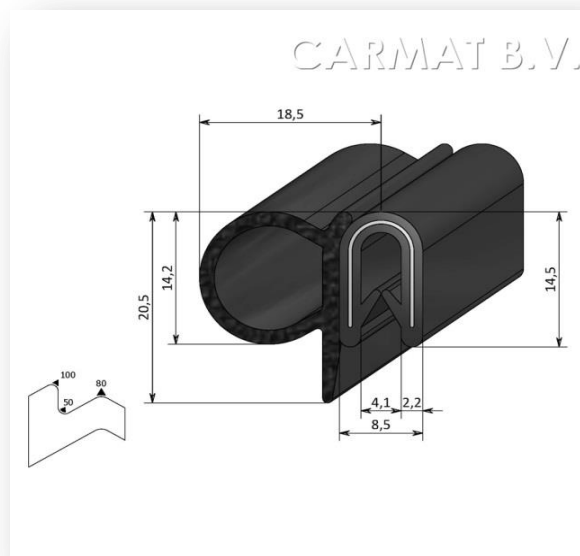
General information

Assembly profile PVC quality 911V5 ALD
Assembly bulb EPDM quality EP 082
Assembly insert Steel 1.0347
Clamping range 1-4 mm

Directives

Reach Compliant
RoHS - RL 2002/95/EG (EC) Compliant
Altauto - RL 2000/53/EG (EC) Compliant

Product image



CARMAT B.V.
Campagneweg 15
4761 RM Zevenbergen
+31-168331100